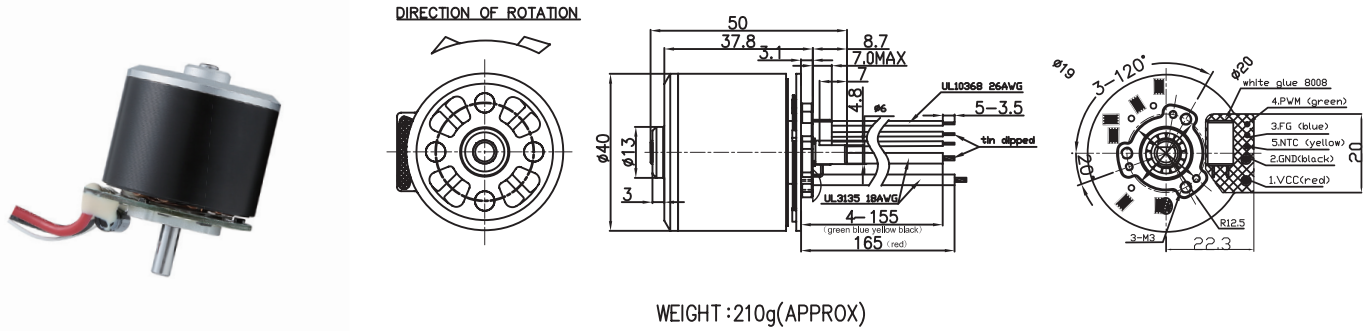


# BL4038

Brushless Dc Motor

Application : Fascia Gun 、 Auto pulley

用途：筋膜槍、電動滑輪



MODEL	VOLTAGE		NO LOAD		AT MAXIMUM EFFICIENCY					STALL			
	OPERATING RANGE	NOMINAL	SPEED rpm	CURRENT A	SPEED rpm	CURRENT A	TORQUE g-cm	OUTPUT mN-m	EFF %	CURRENT A	TORQUE g-cm	TORQUE mN-m	
BL40E38B-9.5V3.4K15W-C1Y1P	-----	9.5V CONSTANT	3370	0.33	3091	1.87	496	48.63	15.74	88	18.92	5499	534.22
BL40E38B12V7K65W-C1Y0P	-----	12.0V CONSTANT	7100	0.69	6553	4.78	741	72.65	49.86	86	51.09	8849	867.55

馬達的出軸長度及性能參數，EMC 對策可依客人要求做調整，詳情可詢問相關業務人員。  
Please inquire your sales representative for output, performance and EMC solution.

