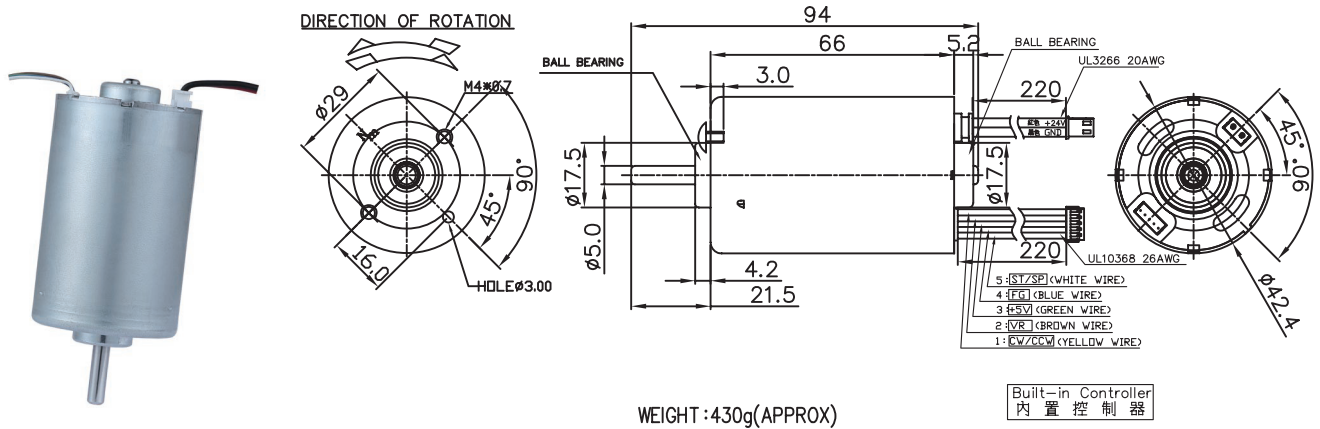


BL4266

Brushless DC Motor

Application : Water Pump 、 Lawn Mower

用途 : 水泵、智能割草機



MODEL	VOLTAGE		NO LOAD		AT MAXIMUM EFFICIENCY						STALL		
	OPERATING RANGE	NOMINAL	SPEED	CURRENT	SPEED	CURRENT	TORQUE	OUTPUT	EFF	CURRENT	TORQUE		
			rpm	A	rpm	A	g-cm	mN-m	W	%	A	g-cm	mN-m
BL4266B-18V4.2K30W-B0X0N	10.0-26.0	18.0V CONSTANT	4300	0.31	3648	3.03	1128	110.59	42.26	86	18.08	7727	757.55
BL4266B-24V5.3K35W-C1Y1V	10.0-26.0	24.0V CONSTANT	5200	0.39	4570	2.11	747	73.24	35.06	76	13.42	6115	559.51

馬達的出軸長度及性能參數，EMC 對策可依客人要求做調整，詳情可詢問相關業務人員。
Please inquire your sales representative for output, performance and EMC solution.

