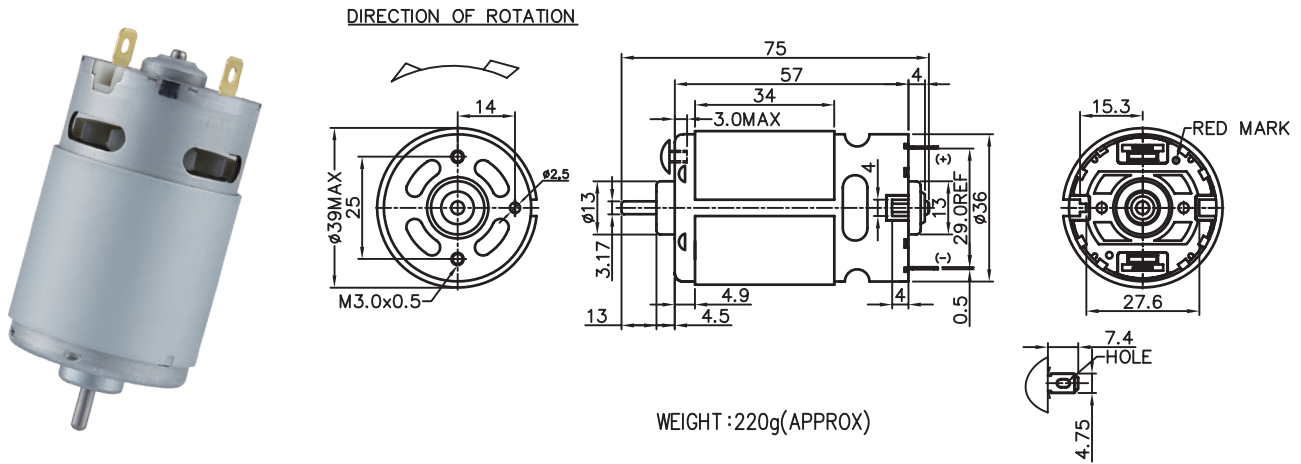


# K5FN

Carbon-brush motors

Application : Seat Belt Pretensioner、Drill & Screwdriver、Printer、Massager

用途：安全帶捲帶器、電動工具、印表機、電動按摩器



MODEL	VOLTAGE		NO LOAD		AT MAXIMUM EFFICIENCY					STALL			
	OPERATING RANGE	NOMINAL	SPEED rpm	CURRENT A	SPEED rpm	CURRENT A	TORQUE g-cm	OUTPUT mN-m	EFF W	%	CURRENT A	TORQUE g-cm	TORQUE mN-m
KS5FN-2462	12.0-24.0	12.0V CONSTANT	4000	0.15	3100	0.63	142	13.92	4.64	63	2.80	784	76.86
KV5FN-6015F	12.0-18.0	14.4V CONSTANT	20000	1.70	16892	9.93	577	56.57	100.09	73	73.86	5161	505.98
KC5FN-5021F	6.0-24.0	24.0V CONSTANT	22800	1.30	20800	7.07	545	53.43	116.84	71	57.29	5250	514.71
KDL5BFN-24135	12.0-36.0	24.0V CONSTANT	3800	0.12	3374	0.32	163	15.98	5.65	78	3.41	2094	205.29

馬達的出軸長度及性能參數，EMC 對策可依客人要求做調整，詳情可詢問相關業務人員。  
Please inquire your sales representative for output, performance and EMC solution.

