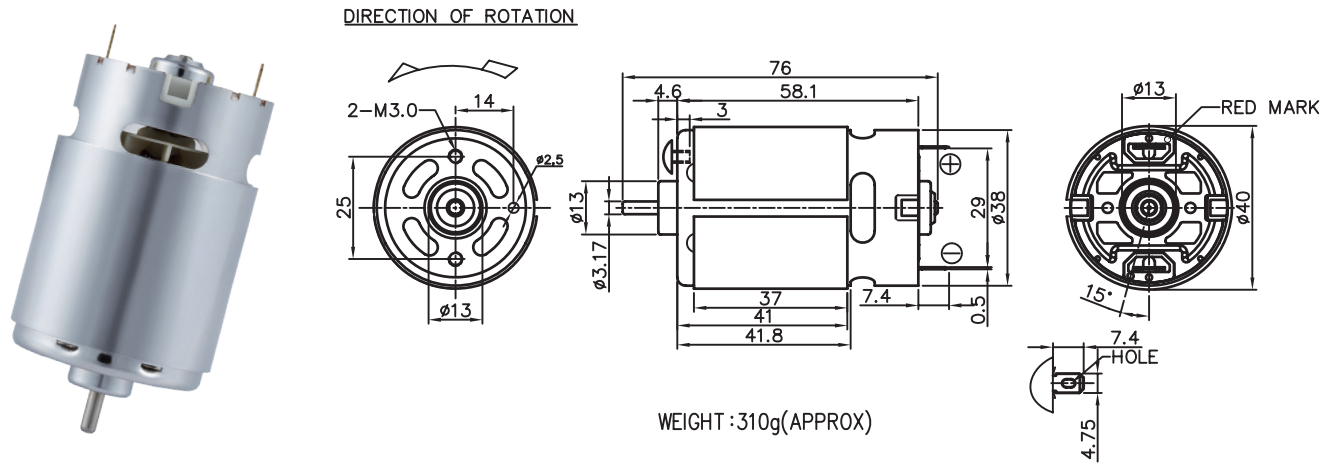


# RK-663

## Carbon-brush motors

Application : Drill & Screwdriver 、 Electric Garden Tool 、 Tire Pump

用途：電動工具、園林工具、汽車打氣泵



MODEL	VOLTAGE		NO LOAD		AT MAXIMUM EFFICIENCY					STALL			
	OPERATING RANGE	NOMINAL	SPEED rpm	CURRENT A	SPEED rpm	CURRENT A	TORQUE g-cm	OUTPUT W	EFF %	CURRENT A	TORQUE g-cm		
RK-663-7033-R	8.0 - 24.0	18.0V CONSTANT	19000	1.60	17271	9.29	749	73.43	132.85	80	75.53	7120	698
RK-663-8028-R	6.0 - 20.0	14.4V CONSTANT	18000	2.05	15699	11.84	849	83.24	136.88	81	95.79	7460	731
RK-663-9019-R	4.0 - 14.0	12.0V CONSTANT	21600	3.00	18832	17.75	845	82.84	163.42	77	122.23	7040	690
RK-663-9020-R	4.0 - 14.0	12.0V CONSTANT	21000	2.50	18553	14.74	745	73.04	141.95	83	113.35	6730	660

馬達的出軸長度及性能參數，EMC 對策可依客人要求做調整，詳情可詢問相關業務人員。  
Please inquire your sales representative for output, performance and EMC solution.

